

Convocation Management System



by Shezam

Meet the Developer



Ts. Sheikh Ezamuddin bin Sheikh Mohd Mustaffa
P.Tech IT (System Development)



CONVOCATION MANAGEMENT SYSTEM - CMS -



Functionalities:



Utama

Pendaftaran Graduan

Muat Turun

Sistem Alumni

Hubungi Kami

SEMAKAN GRADUAN

Masukkan Kad Pengenalan Anda

Semak

Graduands
Self-Check Portal

*Sebelum memulakan Pendaftaran Online, graduan diminta untuk memuat turun beberapa dokumen di ruangan "Muat Turun" bagi memastikan tiada kesilapan dibuat sebelum hari pendaftaran konvokesyen.

SILA AMBIL PERHATIAN!!!

Tarikh akhir bagi graduan untuk membuat pembayaran adalah pada 08 Oktober 2023 (Ahad) jam 11.59 malam.

Functionalities:

13 OKTOBER 2023

BANGI AVENUE CONVENTION CENTRE (BACC)

Utama

Pendaftaran Graduan

Muat Turun

Sistem Alumni

Hubungi Kami



SELAMAT DATANG BALQIS IZZATY REDZA

SENARAI SEMAK

No	Perkara	Status
1	Maklumbalas Kehadiran : HADIR	✓
2	Kemaskini Maklumat Peribadi	✓
3	Bukti Kajian Kebolehkerjaan KPT	✓
4	Pengesahan Kajian Kebolehkerjaan KPT dari Admin	✓
5	Pembayaran Yuran Konvo (RM 400.00)	✓
6	Pengesahan Pembayaran dari Admin	✓
7	Muat Turun Dokumen A - Borang Kehadiran	✓
8	Muat Turun Dokumen B - Borang Jubah	✓
9	Muat Turun Dokumen C - Borang Alumni	✓
10	Muat Turun Dokumen D - Borang Skrol Transkrip	✓

- Confirmation
- Update details
- Payment
- Documentations

Keluar

Seterusnya >

Functionalities:

CONVOCAATION MANAGEMENT SYSTEM CMS BY SHEZAM

 Papar Katalaluan

Admin
page

Functionalities:

- Dashboard
- Pendaftaran Graduan
- Sidang Graduan
- Pengurusan Anugerah
- Pengurusan Majlis
- Pendaftaran Sijil
- Pengurusan Sijil
- Statistik Sijil
- Yuran Konvokesyen
- Kehadiran Konvokesyen
- Pengurusan Jubah
- Pengurusan Alumni
- Pengurusan Kajian
- Analisa Kajian
- Manual Pengguna
- Setup Sistem
- Backup Database
- Setup Pengguna
- Log Keluar

2023 ▾ Graduan CIAST ▾



- Convocation Setup
- Graduands Management
- Statistical Dashboard
- Attendance Management
- Payment Approval
- Certification Management
- Robes Management
- Alumni Management
- Tracer Study Management
- User Access Control Setup

Functionalities:



Queue Card
Registration
prior to event

Functionalities:

Robe Lending and
Returning
Management with
Photography ID



Functionalities:



Scan Queue Counter

Functionalities:



Check Point
Counter

Functionalities:



Emcee/Name
Reader Panel

Functionalities:



Mixing with MCP
(Multi Camera
Production)

Functionalities:



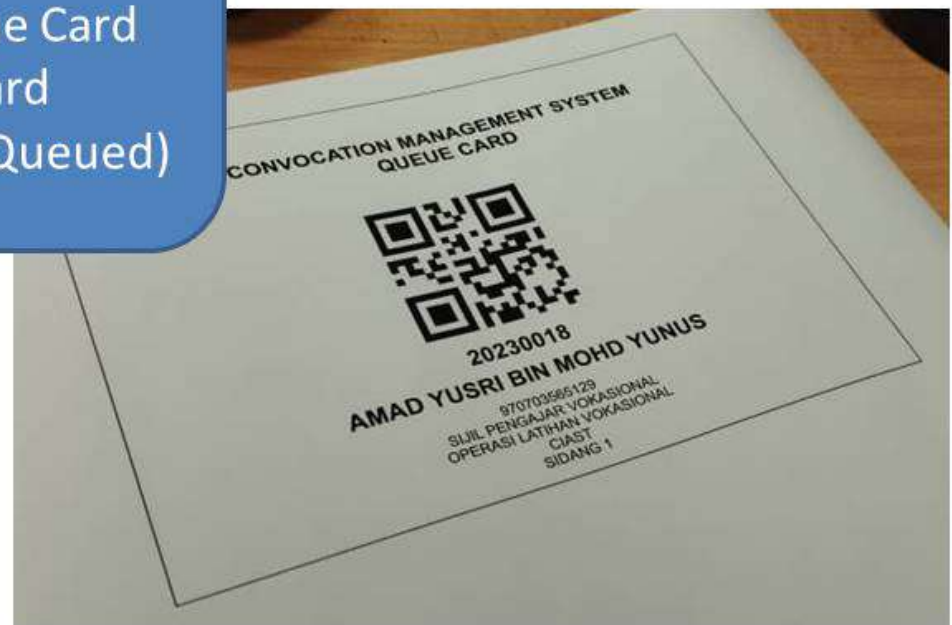
Live Feed View

Functionalities:

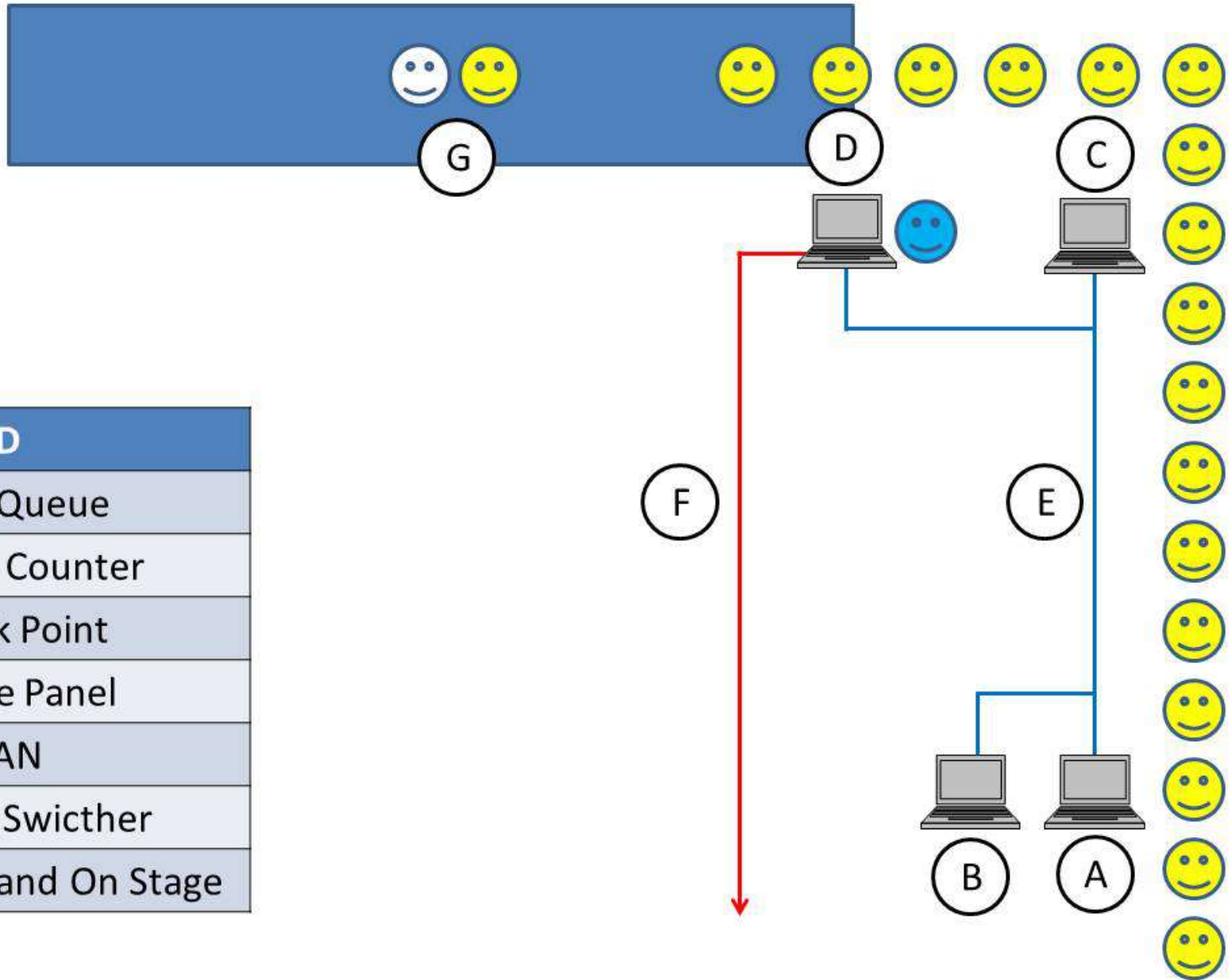


Input Option:

- Barcode Queue Card
- QR Code Queue Card
- RFID Queue Card
- Cardless (Pre-Queued)



Functionalities:



LEGEND	
A	Scan Queue
B	Backup Counter
C	Check Point
D	Emcee Panel
E	LAN
F	To MCP Switcher
G	VIP + Graduand On Stage

Functionalities:

Check-In	On Stage	Barcode	Nama	IC	Institut	Kursus	Sesi Tama	Alamat	No tel
6/11/2012 10:22:30 AM	6/11/2012 10:22:16 AM	A129	AMER QUADE ZULHELME BIN MC	8603	JMTI	DIPLOMA LANJUT	1/2012	113/3	JOI 013-9
6/11/2012 10:22:44 AM	6/11/2012 10:22:27 AM	A22	FAIZUL HASLAN BIN ABU HASSAT	8145	JMTI	DIPLOMA LANJUT	2/2011	LOT 3	ANJ 012-9
6/11/2012 10:22:48 AM	6/11/2012 10:22:39 AM	A130	ZULSAFUAN BIN MUHAMMAT SU	8829	JMTI	DIPLOMA LANJUT	1/2012	LOT 7	N M 019-3
6/11/2012 10:22:50 AM	6/11/2012 10:22:46 AM	A15	LELA HARRIANHY BINTI ZAWAHII	8612	JMTI	DIPLOMA LANJUT	1/2012	NO.6	AH, 014-2
6/11/2012 10:22:54 AM	6/11/2012 10:22:55 AM	A18	NOR FARADILA BINTI KAMARUL	8776	JMTI	DIPLOMA LANJUT	1/2012	PT 49	T 18 017-3
6/11/2012 10:23:11 AM	6/11/2012 10:23:04 AM	A23	MOHAMAD ABUZAR BIN HASSAN	8839	JMTI	DIPLOMA LANJUT	2/2011	NO 3	A P/ 013-4
6/11/2012 10:23:18 AM	6/11/2012 10:23:13 AM	A92	LUZIANA BINTI SEOLOJU	8526	JMTI	DIPLOMA LANJUT	2/2011	IPD B	, 9C 019-9
6/11/2012 10:23:50 AM	6/11/2012 10:23:21 AM	A184	NUR NADIA BINTI MOHAMAD	8774	JMTI	DIPLOMA LANJUT	2/2011	1590	LAC 013 7
6/11/2012 10:23:53 AM	6/11/2012 10:23:29 AM	A315	SAIDATUL HANIM IDORA BT KHA	8852	JMTI	DIPLOMA LANJUT	2/2011	NO 3	MIF 012-7
6/11/2012 10:23:58 AM	6/11/2012 10:23:44 AM	A269	AZIZI BIN AHMAD	8915	ADTEC KULIM	DIPLOMA TEKNOL	2/2011	NO 47	SIN 019-4
6/11/2012 10:24:01 AM	6/11/2012 10:23:53 AM	A160	SYAFRIE SYAZLAN BIN WAHAB	8919	ADTEC KULIM	DIPLOMA TEKNOL	2/2011	b-02-	1 je 017-4
6/11/2012 10:24:05 AM	6/11/2012 10:24:01 AM	A1	AHMAD NAZRIN B. ABU HASAN	8993	ADTEC KULIM	DIPLOMA TEKNOL	2/2011	E-70	AR, 017-4
6/11/2012 10:24:09 AM	6/11/2012 10:24:08 AM	A159	MOHD HAFIZ BIN MANSOR	9045	ADTEC KULIM	DIPLOMA TEKNOL	2/2011	D/A	AM 019-4
6/11/2012 10:24:12 AM	6/11/2012 10:24:15 AM	A36	MOHAMAD RAHIMI BIN RAHIM	9019	ADTEC KULIM	DIPLOMA TEKNOL	2/2011	K250	PL 0175
6/11/2012 10:24:16 AM	6/11/2012 10:24:21 AM	A38	MOHD SHUHAIRI BIN NURDIN	8907	ADTEC KULIM	DIPLOMA TEKNOL	1/2012	NO 4	R JI 017 4
6/11/2012 10:24:19 AM	6/11/2012 10:24:28 AM	A249	NUR MISOURI BIN YAHAYA	8979	ADTEC KULIM	DIPLOMA TEKNOL	1/2012	NO. 3	SUM 0174
6/11/2012 10:24:22 AM	6/11/2012 10:24:35 AM	A91	MOHAMAD NAIM B. MOHAMAD	9021	ADTEC KULIM	DIPLOMA TEKNOL	1/2012	NO 9	AN 017-9
6/11/2012 10:24:25 AM	6/11/2012 10:24:44 AM	A163	MUHAMMAD FAKHRI BIN HASAN	8609	ADTEC KULIM	DIPLOMA TEKNOL	1/2012	789.K	AIN 019-9
6/11/2012 10:24:28 AM	6/11/2012 10:24:53 AM	A134	MILWAN BIN ABD RAZAK	8645	ADTEC KULIM	DIPLOMA TEKNOL	1/2012	NO A	KLA 012-9
6/11/2012 10:24:31 AM	6/11/2012 10:25:00 AM	A183	MASASRI BIN HAJI AWANG ZAW	8661	ADTEC KULIM	DIPLOMA TEKNOL	1/2012	NO. 2	SIK 017-9
6/11/2012 10:24:35 AM	6/11/2012 10:25:07 AM	A2	RAMESH A/L SRITHARAN	9035	ADTEC KULIM	DIPLOMA TEKNOL	1/2012	No.9	n J 016-9
6/11/2012 10:24:39 AM	6/11/2012 10:25:14 AM	A51	MOHAMMAD FATTAH BIN MD AI	8875	ADTEC KULIM	DIPLOMA TEKNOL	1/2012	143 A	DRC 017-4
6/11/2012 10:24:44 AM	6/11/2012 10:25:00 AM								I TC 019 9
6/11/2012 10:24:48 AM	6/11/2012 10:25:00 AM								1, 04-6
6/11/2012 10:24:53 AM	6/11/2012 10:25:00 AM								012-9
6/11/2012 10:24:57 AM	6/11/2012 10:25:00 AM								N 013-4
6/11/2012 10:25:02 AM	6/11/2012 10:25:00 AM								017-4
6/11/2012 10:25:06 AM	6/11/2012 10:25:00 AM								017-4
6/11/2012 10:25:12 AM	6/11/2012 10:25:00 AM								A 017-6
6/11/2012 10:25:17 AM	6/11/2012 10:25:00 AM								I 019-4
6/11/2012 10:25:23 AM	6/11/2012 10:25:00 AM								S 019-4

Photo Session Data

Data generated contain complete information of graduands including phone number and address for the purpose of postage the on-stage photo session. Includes also are the timestamp of the graduands are on the stage for the purpose of confirming and matching the graduand with the photo timing if required.

Functionalities:

#	Function	Description	Average Timing
1	Paper Reduction	No postage on invitation, documentation, guideline, forms etc	99% reduced
2	Registration	No dedicated counter, easy to search and register, time consume on verifying the information only	< 90 sec
3	Record Robes Lending	Just scan and verify	3 sec
4	Statistic Generation	Just click and automated produced	<5 sec
5	Scan Queue	Just scan and verify	3 sec
6	On Stage	Emcee just click and read names. Time on stages depends on VIP and graduand interaction and protocol (fast or slow and easy)	7 sec
7	Record Robes Return	Just scan and verify	3 sec
8	Detecting Unreturned Robes	Just click and automated produced	<3 sec
9	Automated Processing	System will mostly process the documentation and calculation/statistic	90% automated
10	Easy to operate	Graduands can easily browse the Graduand Self Check Portal via internet. Staff also easily can use the system with minimal training/briefing less than 10 minutes	N/A



Need digital transformation for your work or business?



What ever you dream of can be realize!

Contact Ezam Freelancer for the best affordable deal.



Full Stack PHP Developer



 <https://www.facebook.com/ezam.system.developer>

Visit website for details:

<http://sysappsdev.com>



ezam_freelancer@yahoo.com

012.621.31.43